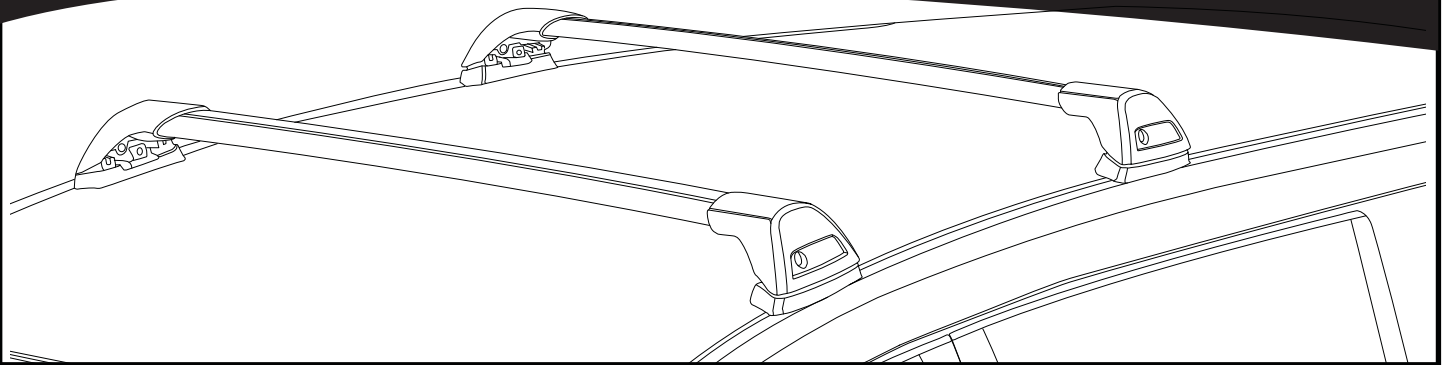
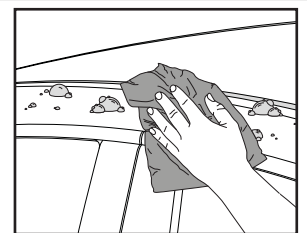
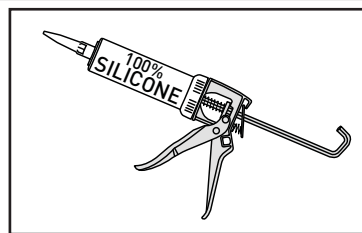
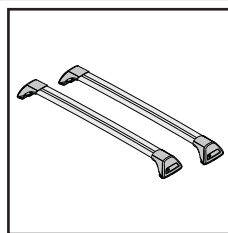
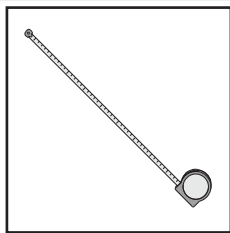
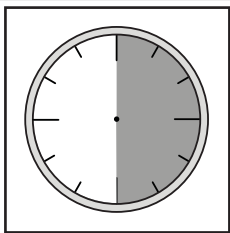


# K441

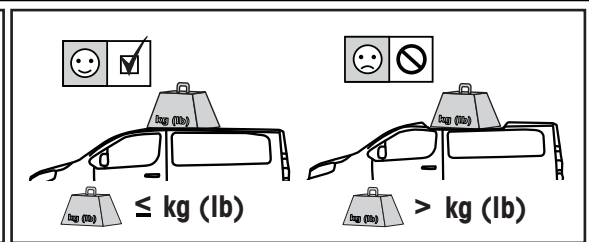
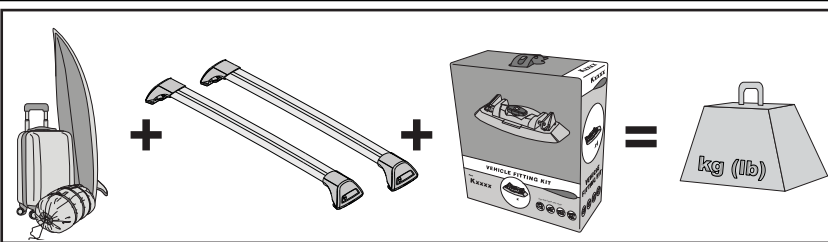
# Fitting Kit

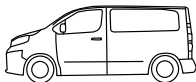

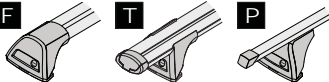
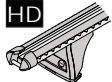


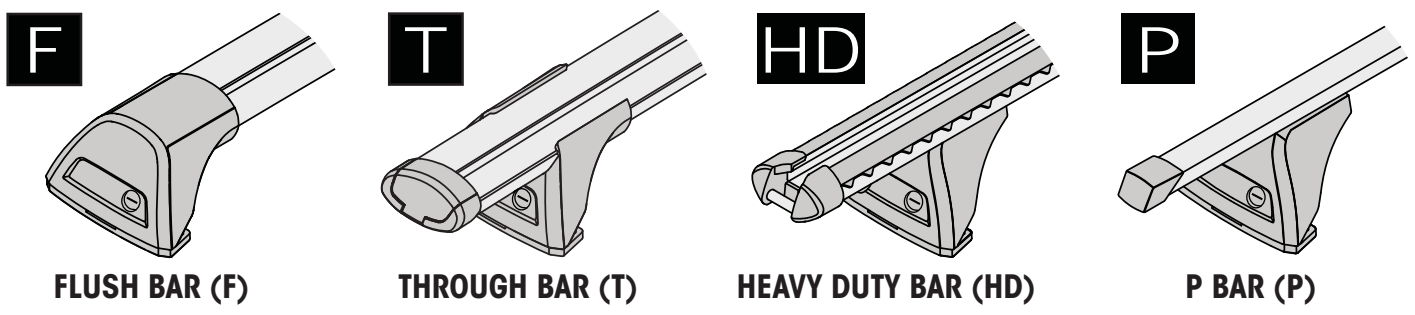
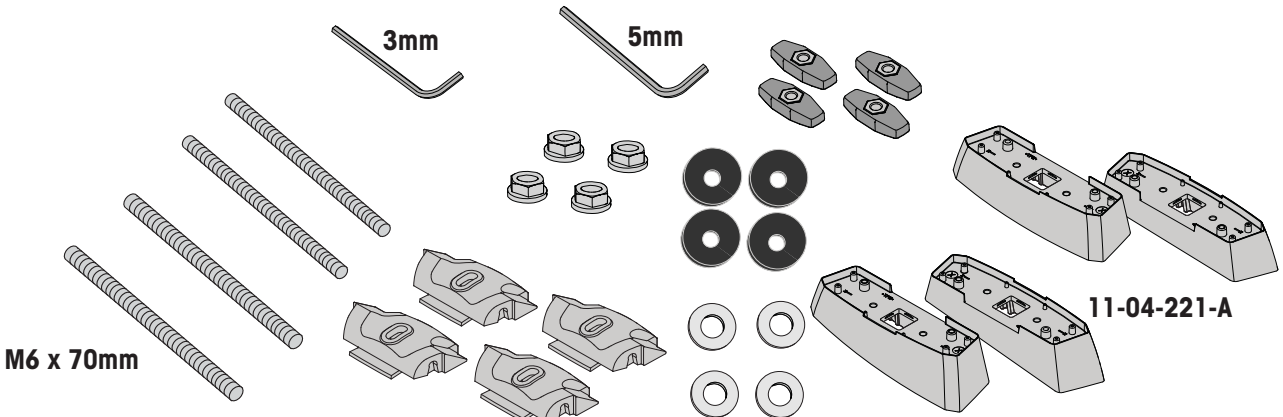
**REQUIRED • ERFORDERLICH • REQUERIDOS • OBLIGATOIRE • NØDVENDIG • NECESSÁRIO  
ОБЯЗАТЕЛЬНО • OBBLIGATORIO • POTRZEBY • NEVYHNUTELNÉ • NEVYHNUTNÉ • NODIG • NØDVÄNDIG**



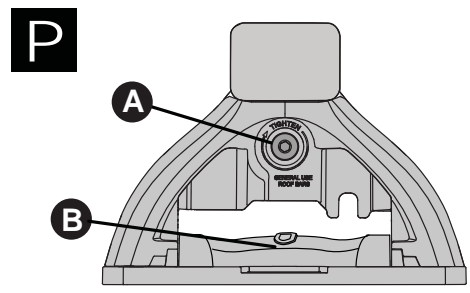
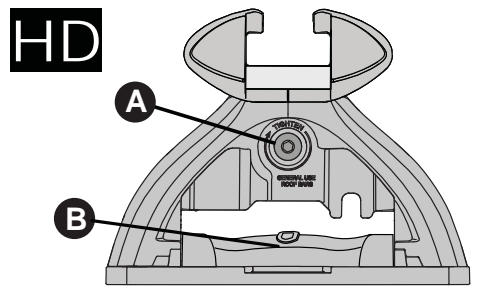
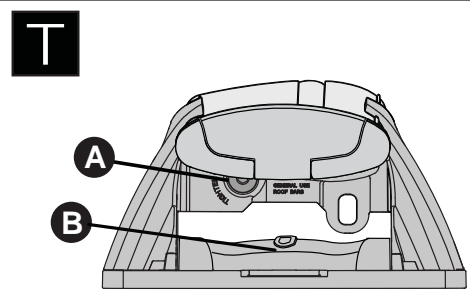
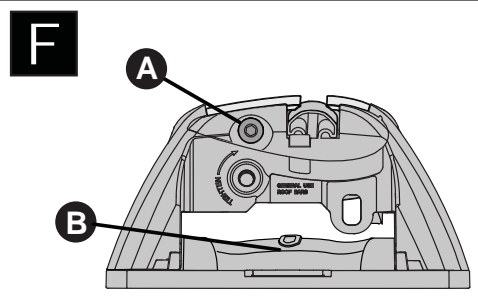
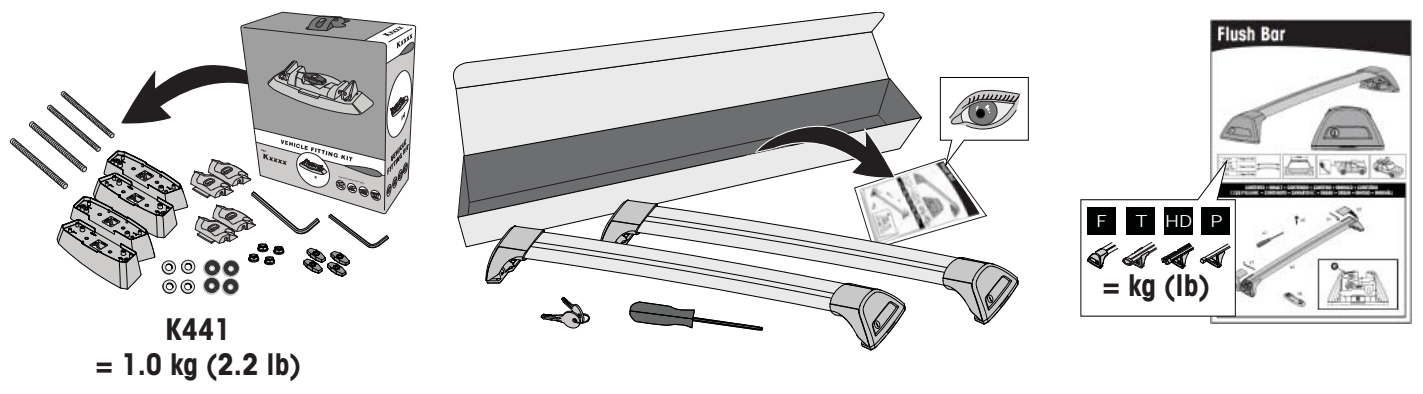
**MAXIMUM kg (lb) • MAXIMUM kg • MÁXIMO kg • MAXIMUM kg • MAKSIMALT kg • MÁXIMO kg  
МАКСИМУМ кг • MASSIMO kg • MAKSIMALNEJ kg • MAXIMÁLNÍ kg • MAXIMÁLNE kg  
MAXIMUM kg • MAXIMAL kg**

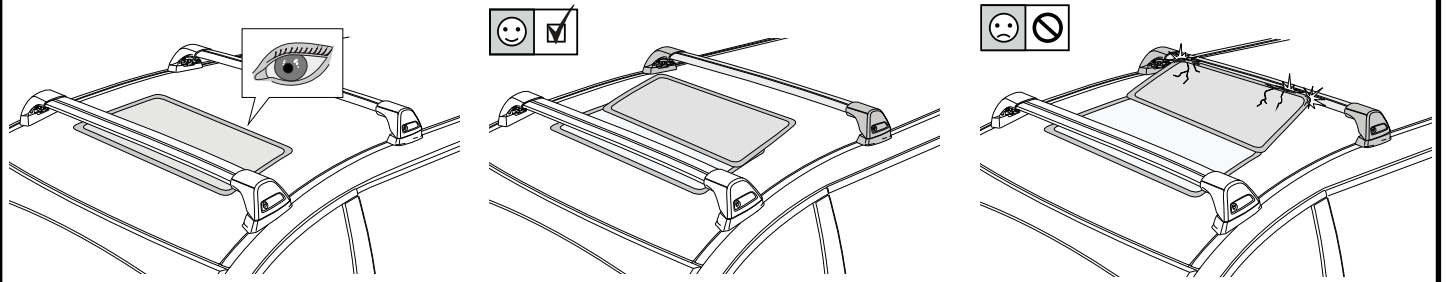


			
Subaru Forester, 5dr SUV 08-12	EU, NZ, ZA	75 kg (165 lb)	75 kg (165 lb)
Volkswagen Caravelle T5, 4dr Van 03-Jun 15	EU	75 kg (165 lb)	100 kg (220 lb)
Volkswagen Caravelle T5, 4dr Van 14-15	CN	75 kg (165 lb)	100 kg (220 lb)
Volkswagen Caravelle T6, 4dr Van 15+	EU	75 kg (165 lb)	100 kg (220 lb)
Volkswagen Caravelle T6, 4dr Van 16-17	CN	75 kg (165 lb)	100 kg (220 lb)
Volkswagen Caravelle, 4dr Van 03-Jun 15	AU	75 kg (165 lb)	100 kg (220 lb)
Volkswagen Multivan T5, 4dr Van 03-Jun 15	ZA	75 kg (165 lb)	100 kg (220 lb)
Volkswagen Multivan T5, 4dr Van 04-Jun 15	AU, NZ	75 kg (165 lb)	100 kg (220 lb)
Volkswagen Multivan T5, 4dr Van 08-15	CN	75 kg (165 lb)	100 kg (220 lb)
Volkswagen Multivan T6, 4dr Van 15+	EU	75 kg (165 lb)	100 kg (220 lb)
Volkswagen Multivan T6, 4dr Van 16-16	CN	75 kg (165 lb)	100 kg (220 lb)
Volkswagen Transporter T5 LWB (2 Bar), 4dr Van 03-15	AU, EU, NZ, ZA	75 kg (165 lb)	100 kg (220 lb)
Volkswagen Transporter T5 SWB, 4dr Van 03-Jun 15	EU, ZA	75 kg (165 lb)	100 kg (220 lb)
Volkswagen Transporter T5 SWB, 4dr Van 04-Jun 15	AU, NZ	75 kg (165 lb)	100 kg (220 lb)
Volkswagen Transporter T6, 4dr Van	EU	75 kg (165 lb)	100 kg (220 lb)

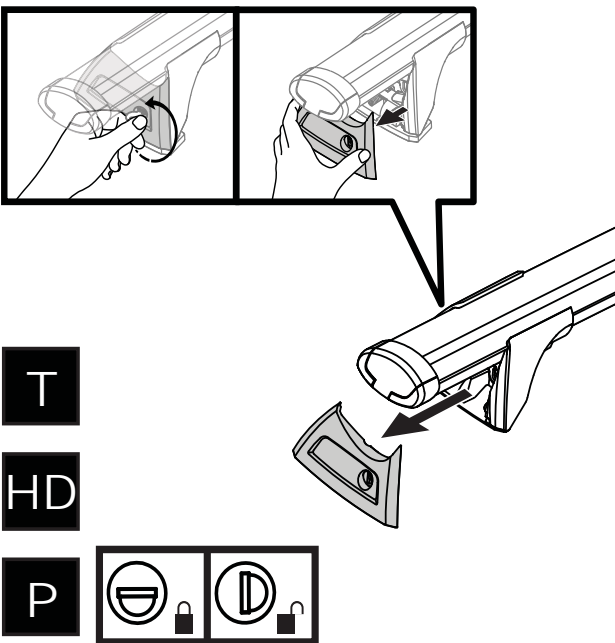
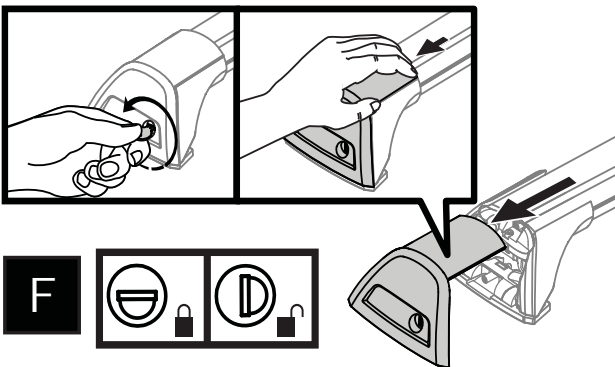


ATTENTION • ACHTUNG • ATENCIÓN • ATTENTION • OPPMERKSOMHET • ATENÇÃO • ВНИМАНИЕ  
 ATTENZIONE • UWAGA • UPOZORNĚNÍ • UPOZORNENIE • LET OP • UPPMÄRSAMHET



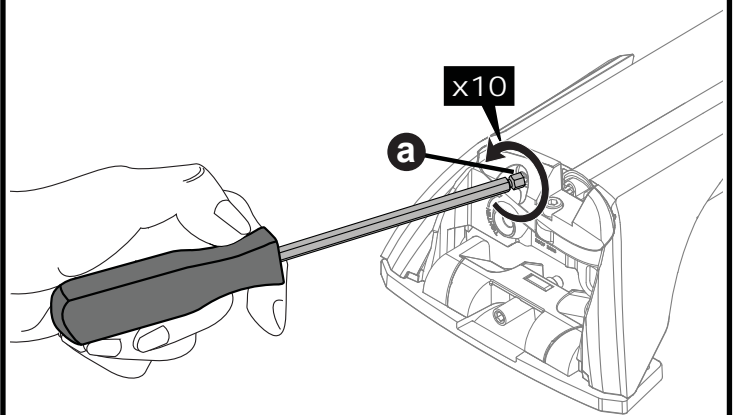
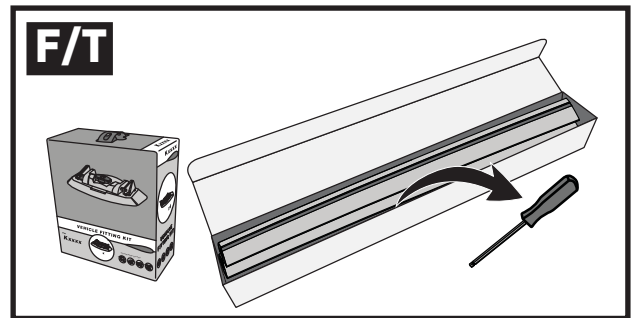
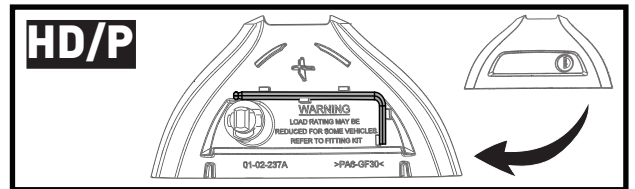


**1**



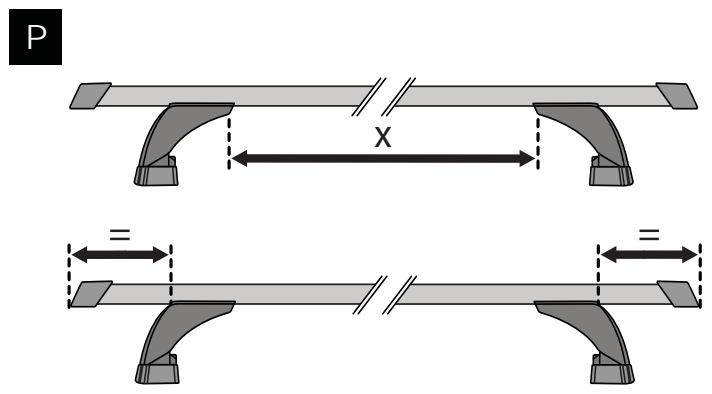
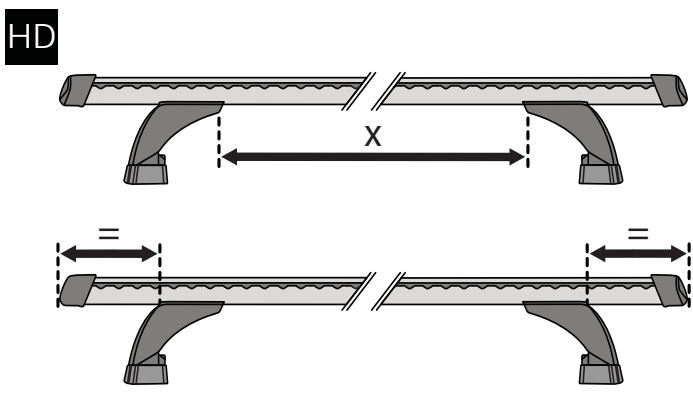
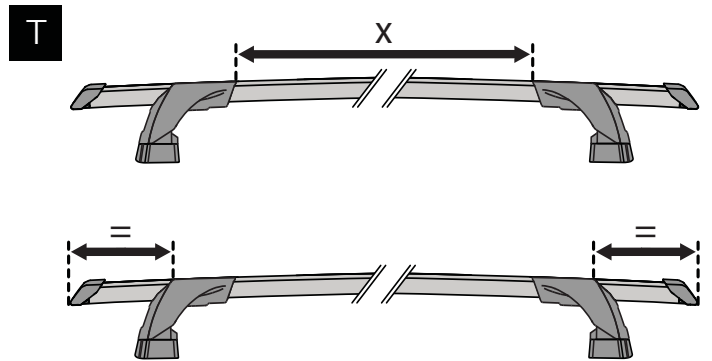
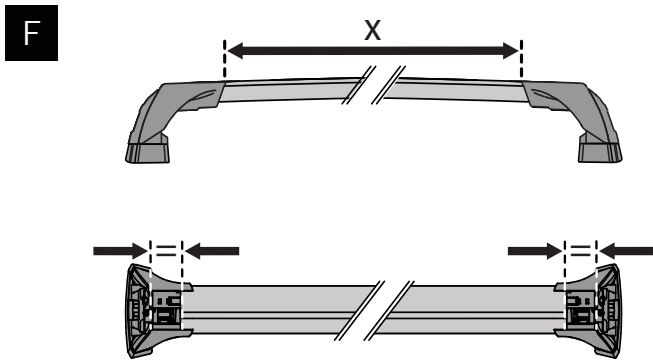
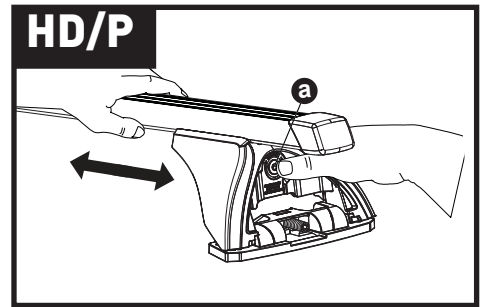
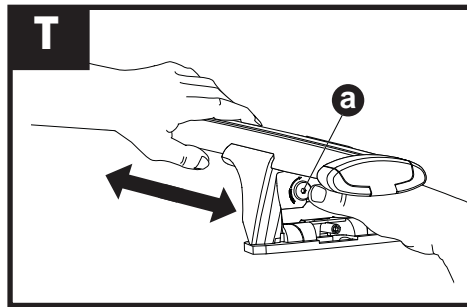
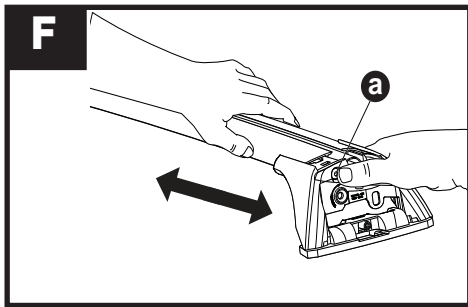
**x4**

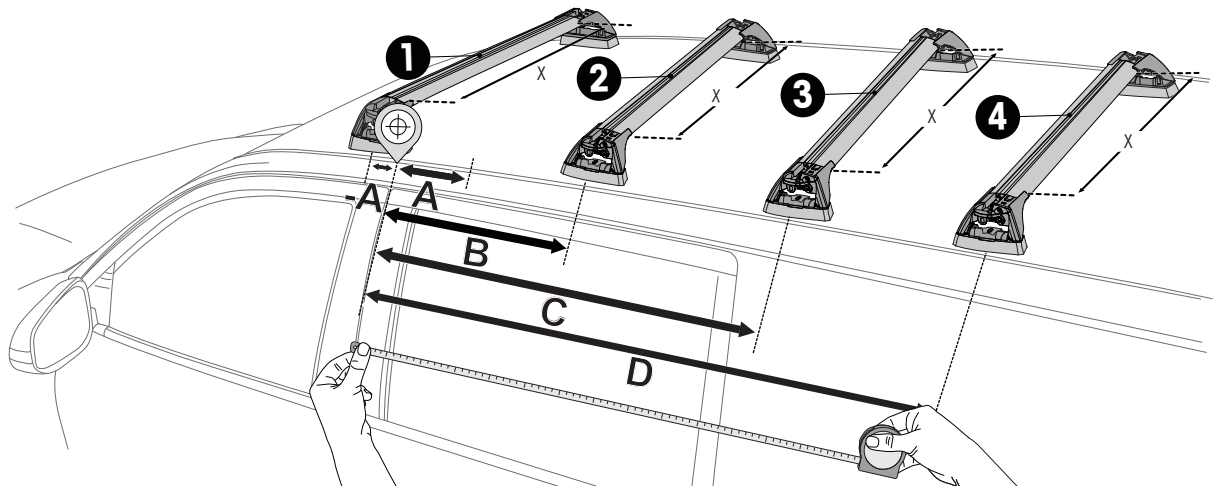
**2**





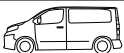

**x4**

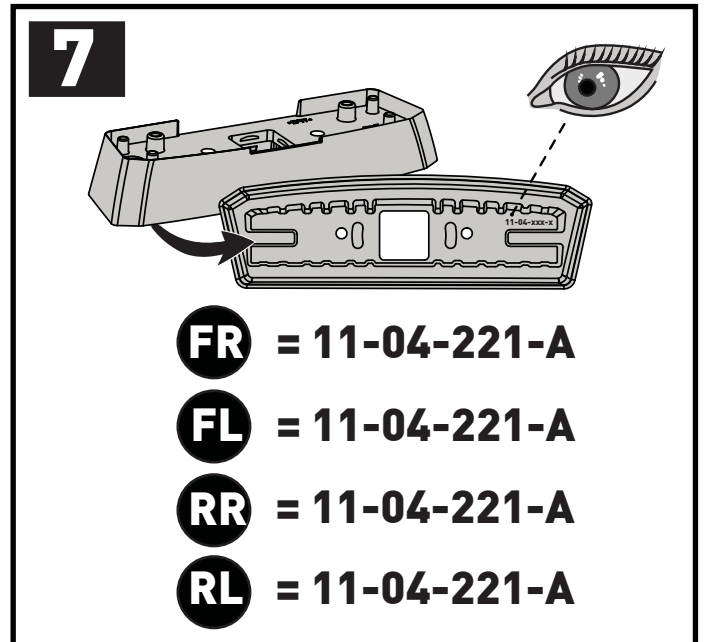
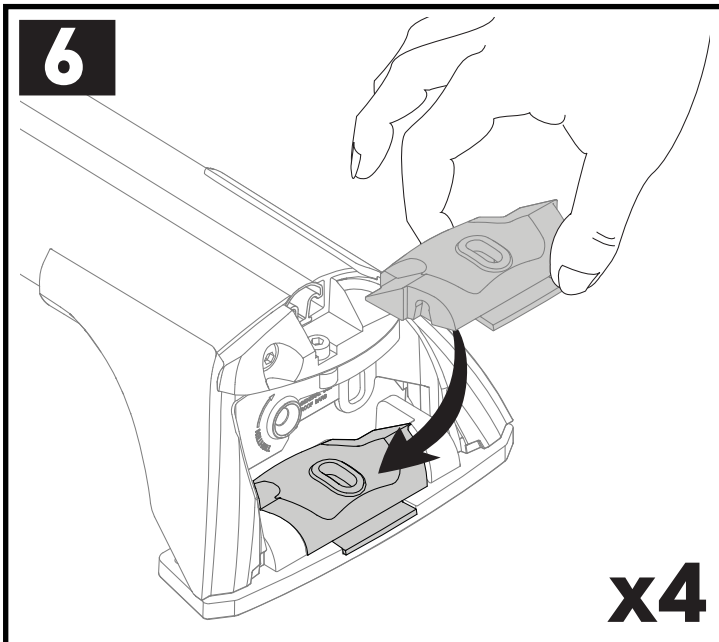
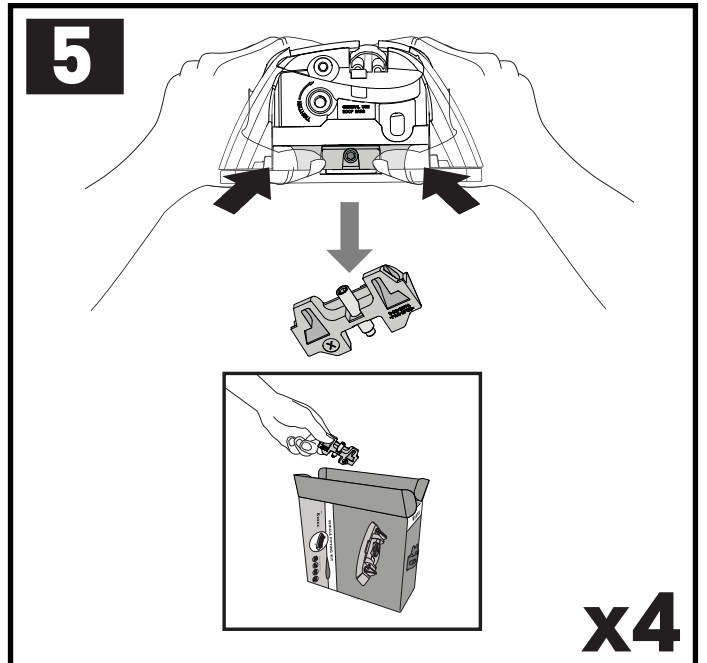
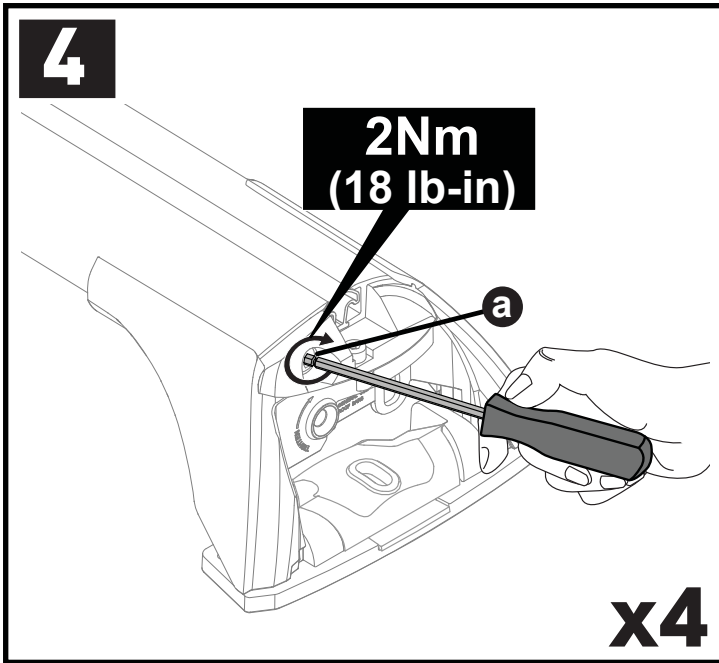
**3**



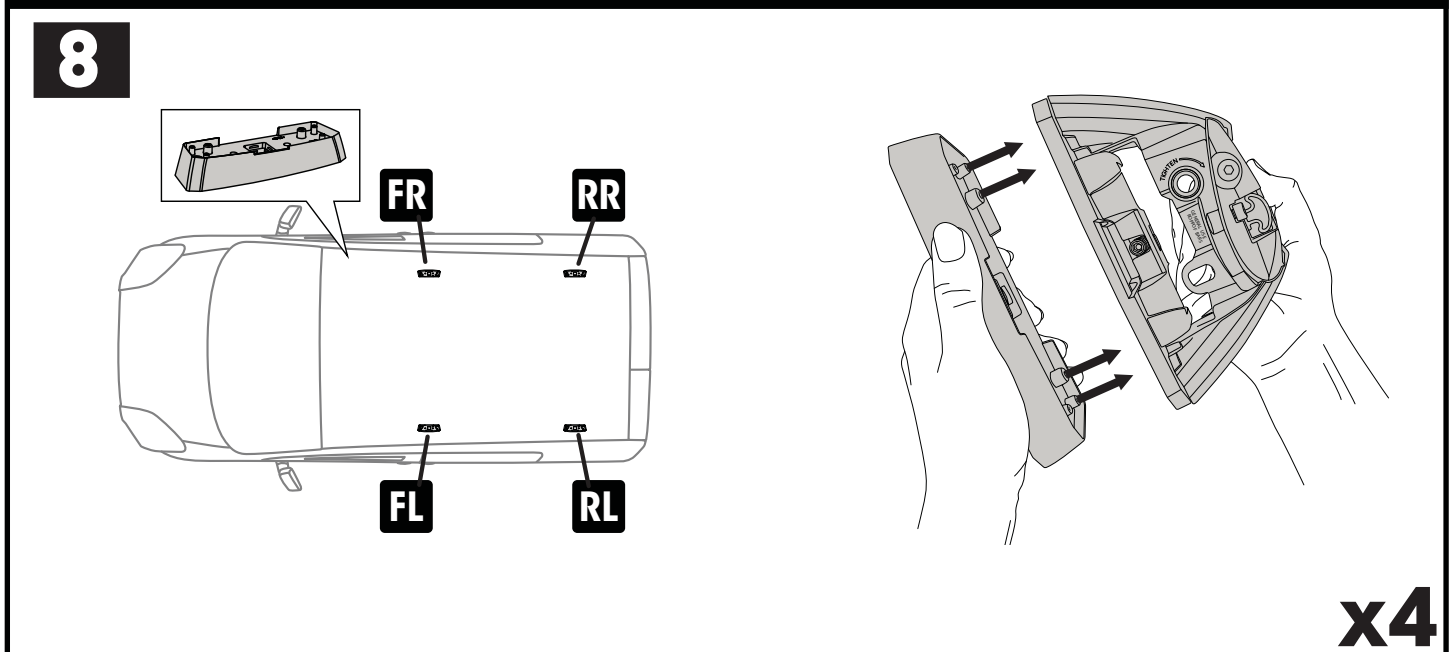


		A	B	C	D
Subaru Forester, 5dr SUV 08-12	EU, NZ, ZA	A = 60mm (2 3/8")	B = 800mm (31 1/2")	-	-
Volkswagen Caravelle T5, 4dr Van 03-Jun 15	EU	A = -140mm (-5 1/2")	B = 490mm (19 1/4")	C = 1290mm (50 3/4")	-
Volkswagen Caravelle T5, 4dr Van 14-15	CN	A = -140mm (-5 1/2")	B = 490mm (19 1/4")	C = 1290mm (50 3/4")	-
Volkswagen Caravelle T6, 4dr Van 15+	EU	A = -140mm (-5 1/2")	B = 490mm (19 1/4")	C = 1290mm (50 3/4")	D = 800mm (31 1/2")
Volkswagen Caravelle T6, 4dr Van 16-17	CN	A = -140mm (-5 1/2")	B = 490mm (19 1/4")	C = 1290mm (50 3/4")	D = 800mm (31 1/2")
Volkswagen Caravelle, 4dr Van 03-Jun 15	AU	A = -140mm (-5 1/2")	B = 490mm (19 1/4")	C = 1290mm (50 3/4")	-
Volkswagen Multivan T5, 4dr Van 03-Jun 15	ZA	A = -140mm (-5 1/2")	B = 490mm (19 1/4")	C = 1290mm (50 3/4")	-
Volkswagen Multivan T5, 4dr Van 04-Jun 15	AU, NZ	A = -140mm (-5 1/2")	B = 490mm (19 1/4")	C = 1290mm (50 3/4")	-
Volkswagen Multivan T5, 4dr Van 08-15	CN	A = -140mm (-5 1/2")	B = 490mm (19 1/4")	C = 1290mm (50 3/4")	-
Volkswagen Multivan T6, 4dr Van 15+	EU	A = -140mm (-5 1/2")	B = 490mm (19 1/4")	C = 1290mm (50 3/4")	D = 800mm (31 1/2")
Volkswagen Multivan T6, 4dr Van 16-16	CN	A = -140mm (-5 1/2")	B = 490mm (19 1/4")	C = 1290mm (50 3/4")	D = 800mm (31 1/2")
Volkswagen Transporter T5 LWB, 4dr Van 03-15	AU, EU, NZ, ZA	A = -140mm (-5 1/2")	B = 490mm (19 1/4")	C = 1290mm (50 3/4")	D = 800mm (31 1/2")
Volkswagen Transporter T5 SWB, 4dr Van 03-Jun 15	EU, ZA	A = -140mm (-5 1/2")	B = 490mm (19 1/4")	C = 1290mm (50 3/4")	D = 800mm (31 1/2")
Volkswagen Transporter T5 SWB, 4dr Van 04-Jun 15	AU, NZ	A = -140mm (-5 1/2")	B = 490mm (19 1/4")	C = 1290mm (50 3/4")	D = 800mm (31 1/2")
Volkswagen Transporter T6, 4dr Van	EU	A = -140mm (-5 1/2")	B = 490mm (19 1/4")	C = 1290mm (50 3/4")	D = 800mm (31 1/2")

		1	2	3	4
Subaru Forester, 5dr SUV 08-12	EU, NZ, ZA	X = 890mm (35")	X = 890mm (35")	-	-
Volkswagen Caravelle T5, 4dr Van 03-Jun 15	EU	X = 1102mm (43 3/8")	X = 1102mm (43 3/8")	X = 1102mm (43 3/8")	-
Volkswagen Caravelle T5, 4dr Van 14-15	CN	X = 1102mm (43 3/8")	X = 1102mm (43 3/8")	X = 1102mm (43 3/8")	-
Volkswagen Caravelle T6, 4dr Van 15+	EU	X = 1102mm (43 3/8")	X = 1102mm (43 3/8")	X = 1102mm (43 3/8")	X = 1102mm (43 3/8")
Volkswagen Caravelle T6, 4dr Van 16-17	CN	X = 1102mm (43 3/8")	X = 1102mm (43 3/8")	X = 1102mm (43 3/8")	X = 1102mm (43 3/8")
Volkswagen Caravelle, 4dr Van 03-Jun 15	AU	X = 1102mm (43 3/8")	X = 1102mm (43 3/8")	X = 1102mm (43 3/8")	-
Volkswagen Multivan T5, 4dr Van 03-Jun 15	ZA	X = 1102mm (43 3/8")	X = 1102mm (43 3/8")	X = 1102mm (43 3/8")	-
Volkswagen Multivan T5, 4dr Van 04-Jun 15	AU, NZ	X = 1102mm (43 3/8")	X = 1102mm (43 3/8")	X = 1102mm (43 3/8")	-
Volkswagen Multivan T5, 4dr Van 08-15	CN	X = 1102mm (43 3/8")	X = 1102mm (43 3/8")	X = 1102mm (43 3/8")	-
Volkswagen Multivan T6, 4dr Van 15+	EU	X = 1102mm (43 3/8")	X = 1102mm (43 3/8")	X = 1102mm (43 3/8")	X = 1102mm (43 3/8")
Volkswagen Multivan T6, 4dr Van 16-16	CN	X = 1102mm (43 3/8")	X = 1102mm (43 3/8")	X = 1102mm (43 3/8")	X = 1102mm (43 3/8")
Volkswagen Transporter T5 LWB, 4dr Van 03-15	AU, EU, NZ, ZA	X = 1102mm (43 3/8")	X = 1102mm (43 3/8")	X = 1102mm (43 3/8")	X = 1102mm (43 3/8")
Volkswagen Transporter T5 SWB, 4dr Van 03-Jun 15	EU, ZA	X = 1102mm (43 3/8")	X = 1102mm (43 3/8")	X = 1102mm (43 3/8")	X = 1102mm (43 3/8")
Volkswagen Transporter T5 SWB, 4dr Van 04-Jun 15	AU, NZ	X = 1102mm (43 3/8")	X = 1102mm (43 3/8")	X = 1102mm (43 3/8")	X = 1102mm (43 3/8")
Volkswagen Transporter T6, 4dr Van	EU	X = 1102mm (43 3/8")	X = 1102mm (43 3/8")	X = 1102mm (43 3/8")	X = 1102mm (43 3/8")

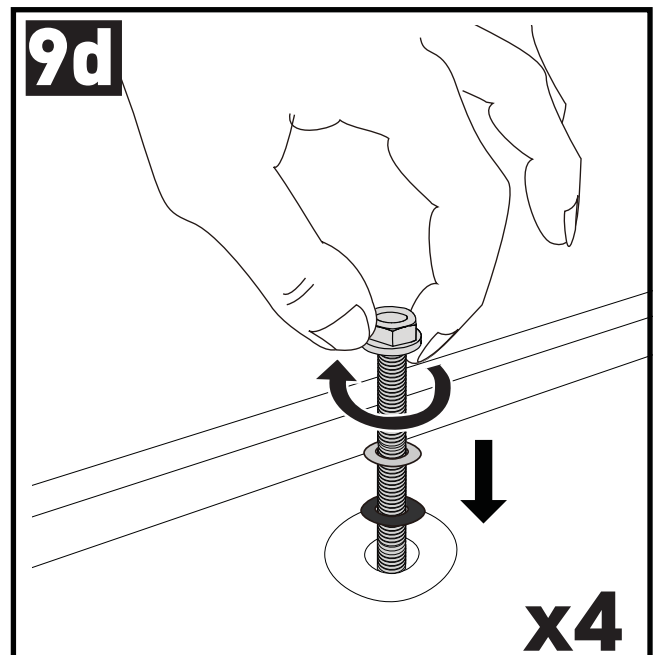
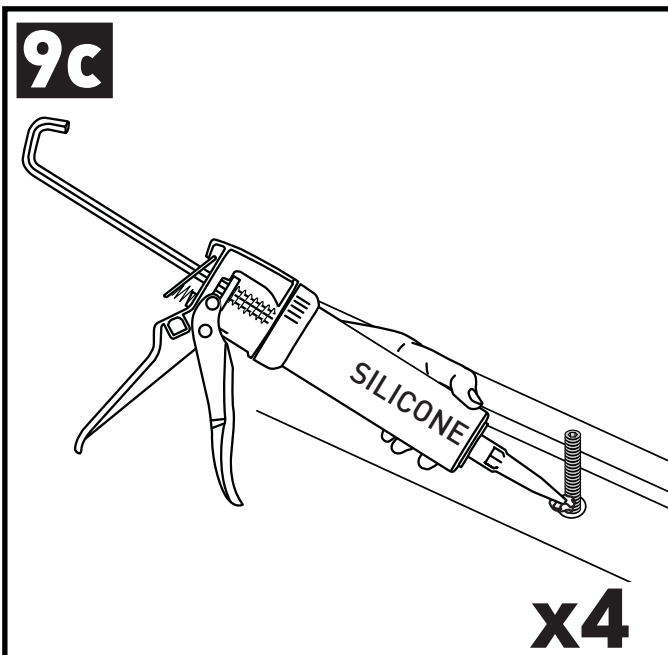
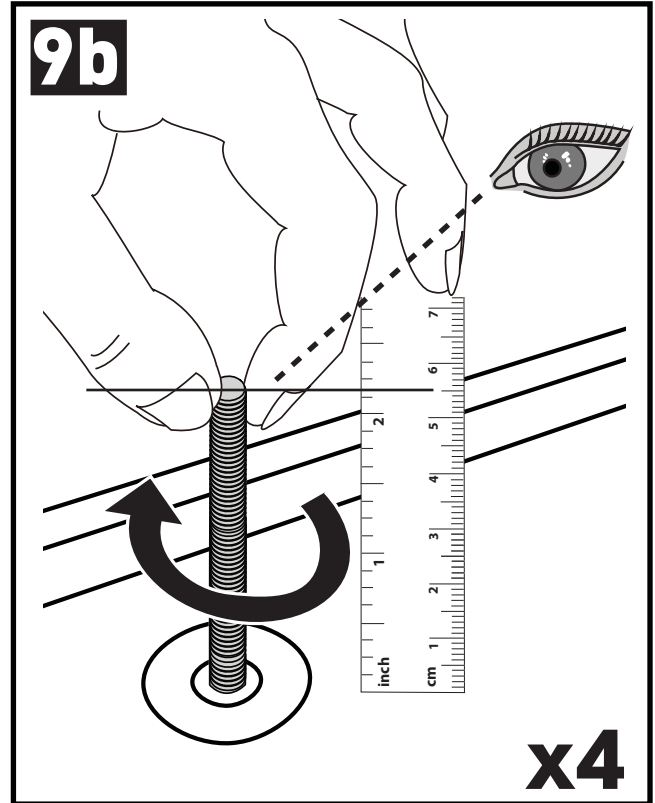
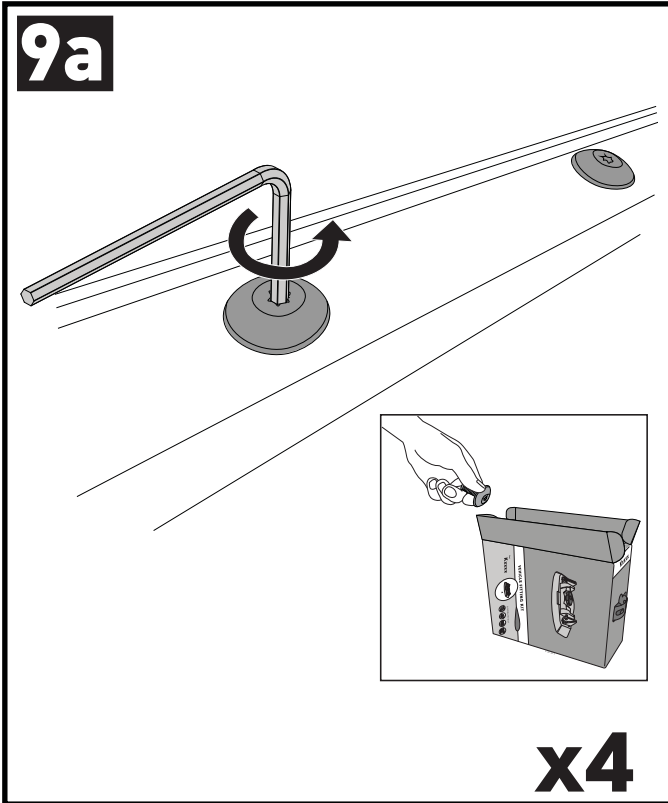


**PLACEMENT • PLATZIERUNG • COLOCACIÓN • MONTAGE • PLASSERING • COLOCAÇÃO • РАЗМЕЩЕНИЕ  
 MONTAGGIO • UMIESZCZENIE • UMÍSTĚNÍ • UMIESTNENIE • PLAATSING • PLACERING**

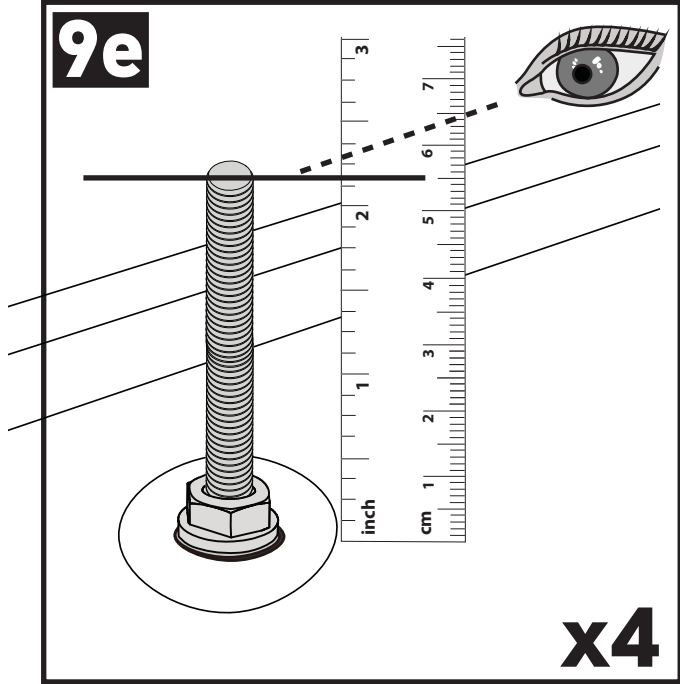




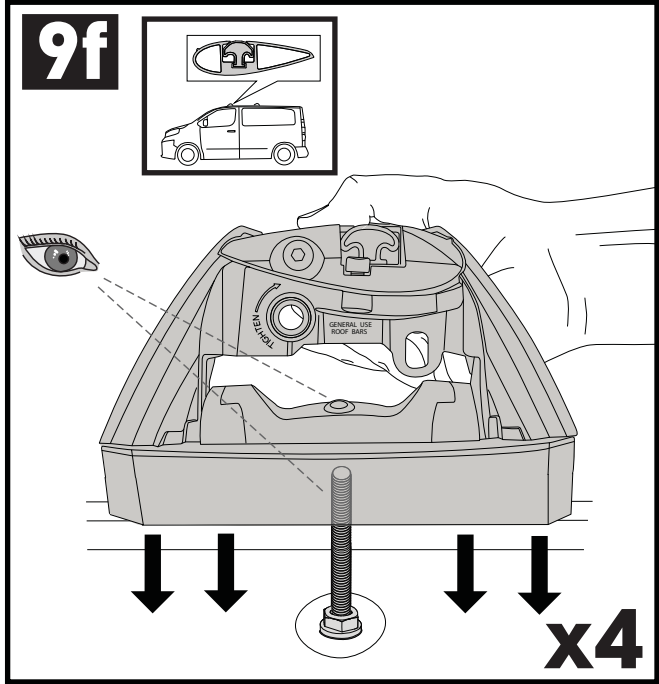
TRANSPORTER/MULTIVAN/CARAVELLE ONLY • TRANSPORTER/MULTIVAN/CARAVELLE NUR  
TRANSPORTER/MULTIVAN/CARAVELLE SOLAMENTE • TRANSPORTER/MULTIVAN/CARAVELLE SEULEMENT  
TRANSPORTER/MULTIVAN/CARAVELLE BARE • TRANSPORTER/MULTIVAN/CARAVELLE SOMENTE  
TRANSPORTER/MULTIVAN/CARAVELLE ТОЛЬКО • SOLO TRANSPORTER/MULTIVAN/CARAVELLE  
TRANSPORTER/MULTIVAN/CARAVELLE TYLKO • TRANSPORTER/MULTIVAN/CARAVELLE POUZE  
TRANSPORTER/MULTIVAN/CARAVELLE IBA • TRANSPORTER/MULTIVAN/CARAVELLE ALLEEN  
TRANSPORTER/MULTIVAN/CARAVELLE BARA



**9e**

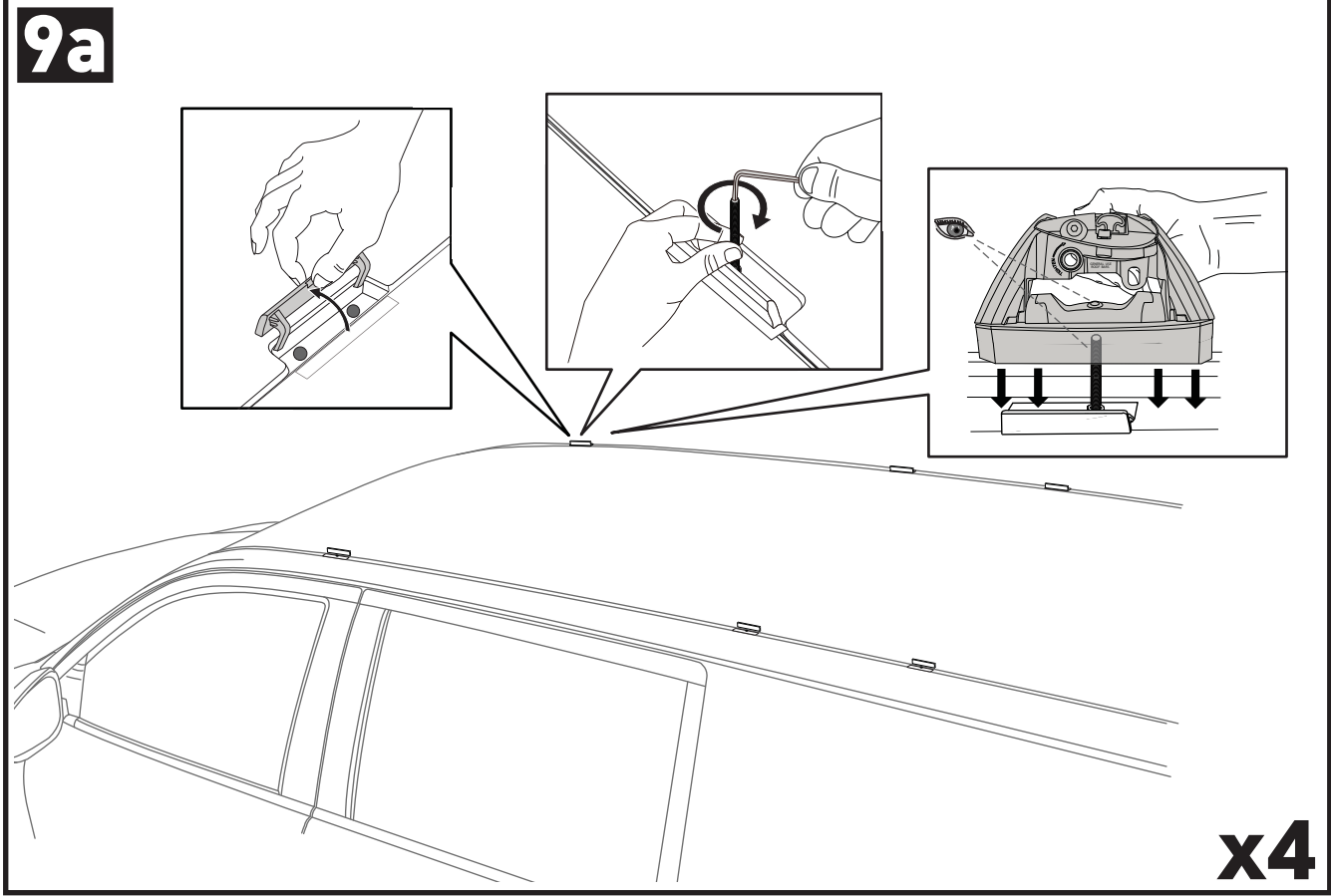


**9f**

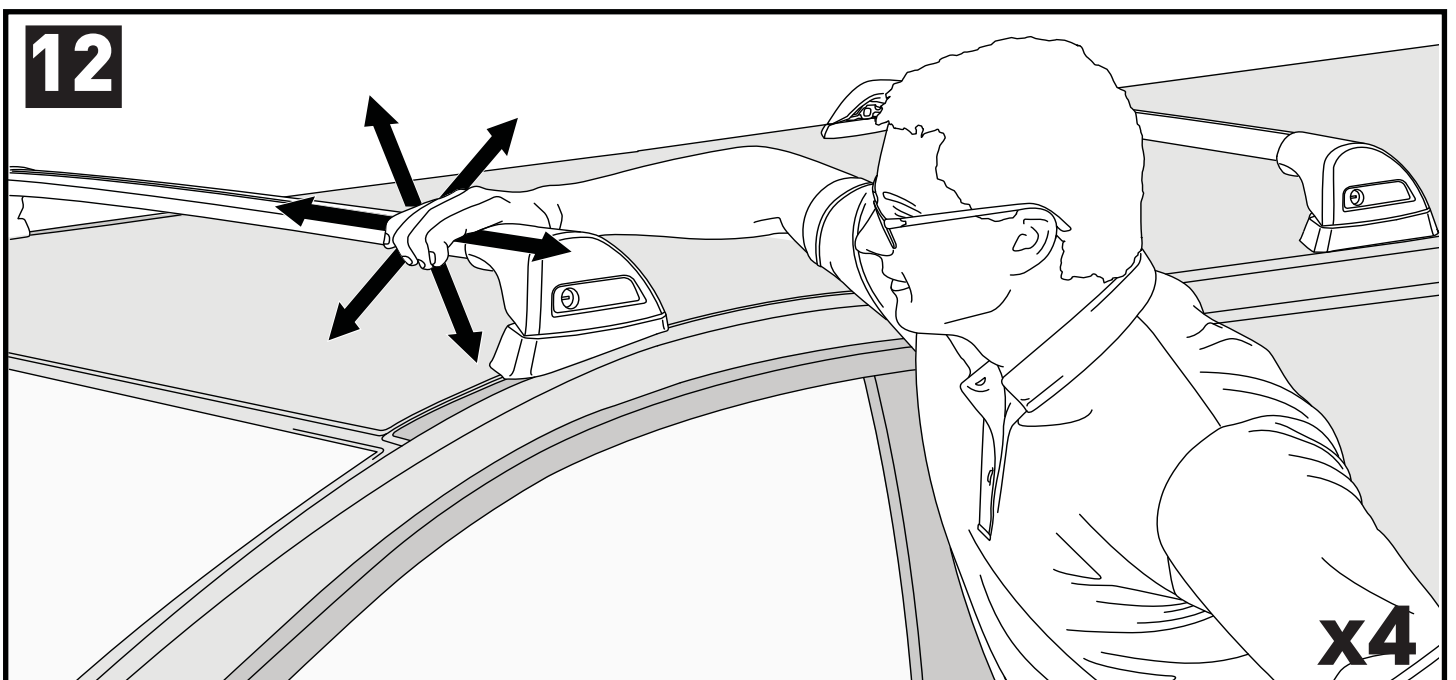
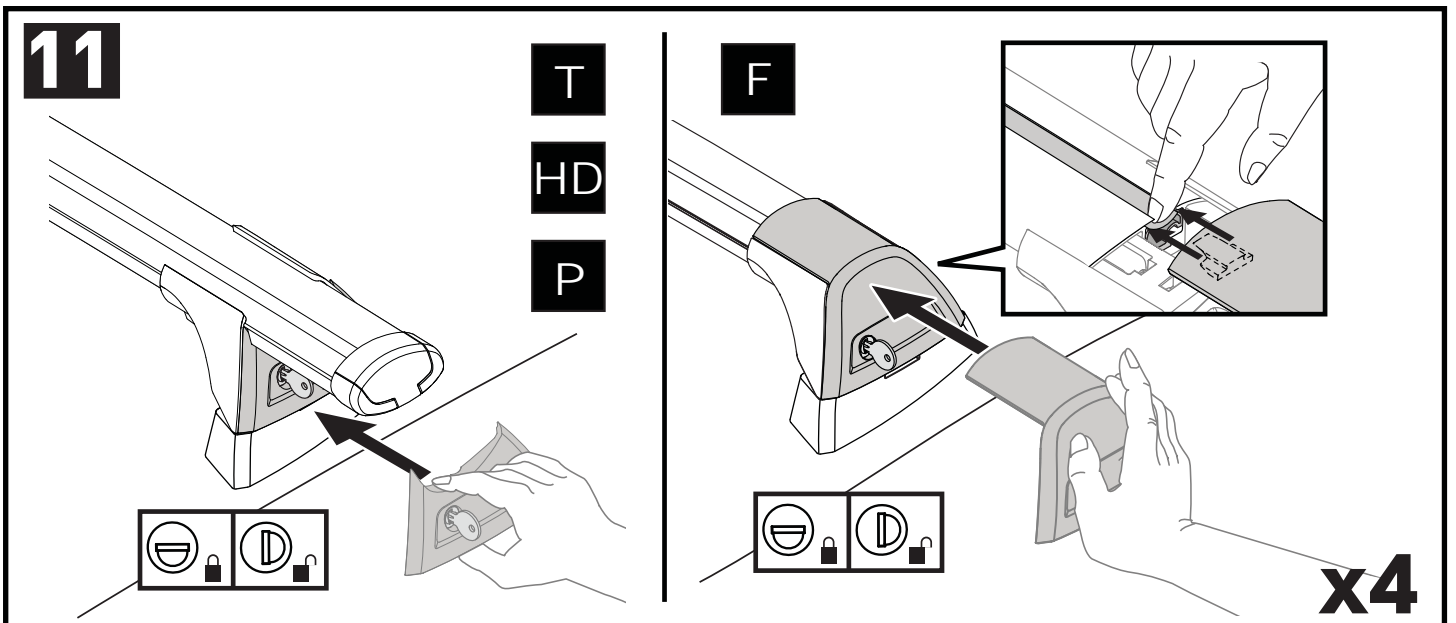
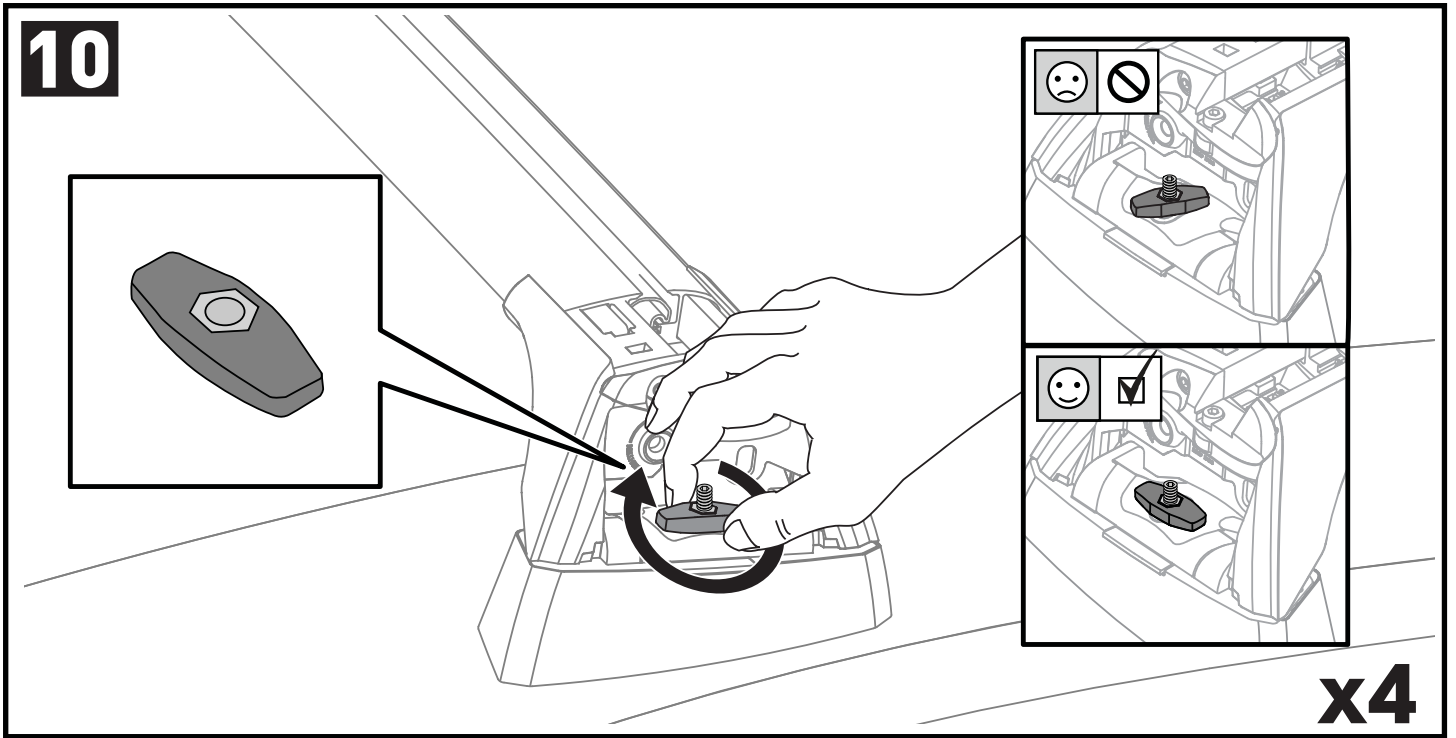


**SUBARU FORESTER ONLY • SUBARU FORESTER NUR  
 SUBARU FORESTER SOLAMENTE • SUBARU FORESTER SEULEMENT  
 SUBARU FORESTER BARE • SUBARU FORESTER SOMENTE  
 SUBARU FORESTER ТОЛЬКО • SOLO SUBARU FORESTER  
 SUBARU FORESTER TYLKO • SUBARU FORESTER POUZE  
 SUBARU FORESTER IBA • SUBARU FORESTER ALLEEN  
 SUBARU FORESTER BARA**

**9a**







**ATTENTION • ACHTUNG • ATENCIÓN • ATTENTION • OPPMERKSOMHET • ATENÇÃO • ВНИМАНИЕ  
ATTENZIONE • UWAGA • UPOZORNĚNÍ • UPOZORNENIE • LET OP • UPPMÄRSAMHET**

**EN** Please read safety and warranty booklet included with this product prior to use. For more information visit your local dealer.

**DE** Bitte lesen und beachten Sie die beiliegende Montageanleitung, Sicherheitshinweise und Garantiebedingungen bevor Sie das Produkt montieren/benutzen. Für weitere Informationen kontaktieren Sie bitte Ihren Händler.

**ES** Por favor, lea folleto de seguridad y garantía que se incluye con este producto antes de su uso. Para obtener más información, visite a su distribuidor local.

**FR** Veuillez lire attentivement le manuel de sécurité et de garantie avant utilisation. Pour plus d'informations, visitez votre concessionnaire local.

**NO** Vennligst les hefte om sikkerhet og garanti som er vedlagt dette produkt før det tas i bruk. For mer informasjon ta kontakt med din forhandler.

**PT** Por favor leia o manual de segurança e garantia incluído, antes de utilizar o produto. Para mais informações visite o seu revendedor local.

**RU** Пожалуйста, ознакомьтесь с инструкцией перед тем, как использовать товар. Для получения более подробной информации обратитесь к местному дилеру.

**IT** Si prega di leggere il libretto di sicurezza e garanzia incluso nel prodotto prima dell'uso. Per maggiori informazioni visita il rivenditore locale.

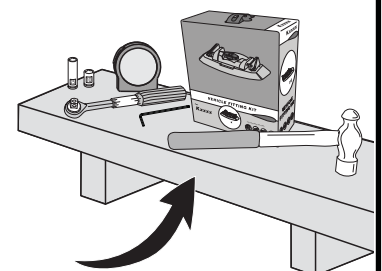
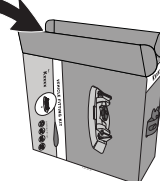
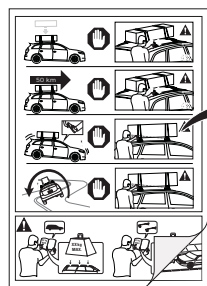
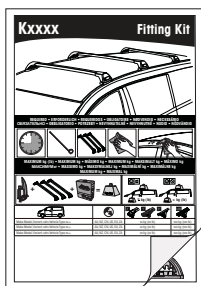
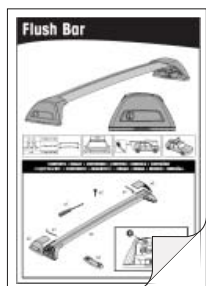
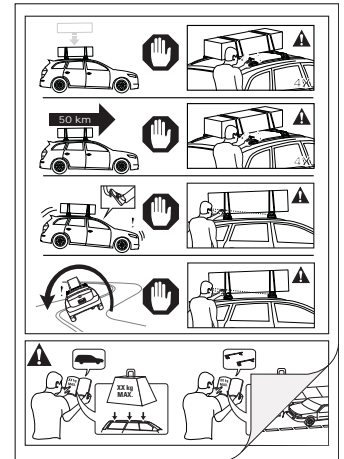
**PL** Proszę zapoznać się z warunkami gwarancji i bezpieczeństwa przed użyciem produktu. W celu uzyskania dodatkowych informacji proszę kontaktować się z najbliższym autoryzowanym punktem sprzedaży.

**CS** Před použitím si prosím přečtete přiložené informace o bezpečnosti a záručních podmínkách. Pro více informací navštivte nejbližšího dealera.

**SK** Pred použitím si prosím prečítajte priložené informácie o bezpečnosti a záručných podmienkach. Pre viac informácií navštívte najbližšieho dílera.

**NL** A.U.B. bijgesloten garantie- en veiligheidsinstructies grondig lezen voor gebruik van dit product. Voor meer informatie graag contact opnemen met uw dealer.

**SV** Var snäll och läs igenom säkerhets- och garantihäftet som medföljer produkten före användning. För mer information besök din lokala återförsäljare.



Yakima Australia Pty Ltd  
17 Hinkler Court, Brendale  
QLD 4500, Australia  
1800 143 548  
www.prorack.com.au  
www.whispbar.com.au

Yakima Europe Coöperatief U.A.  
Archimedesbaan 25, 3439  
ME Nieuwegein, The Netherlands  
+31 2080 81425  
www.prorackeurope.eu  
www.whispbar.eu

Yakima Products, Inc.  
4101 KRUSE WAY  
Lake Oswego, OR. 97035 USA  
888 925 4621  
www.whispbar.com